



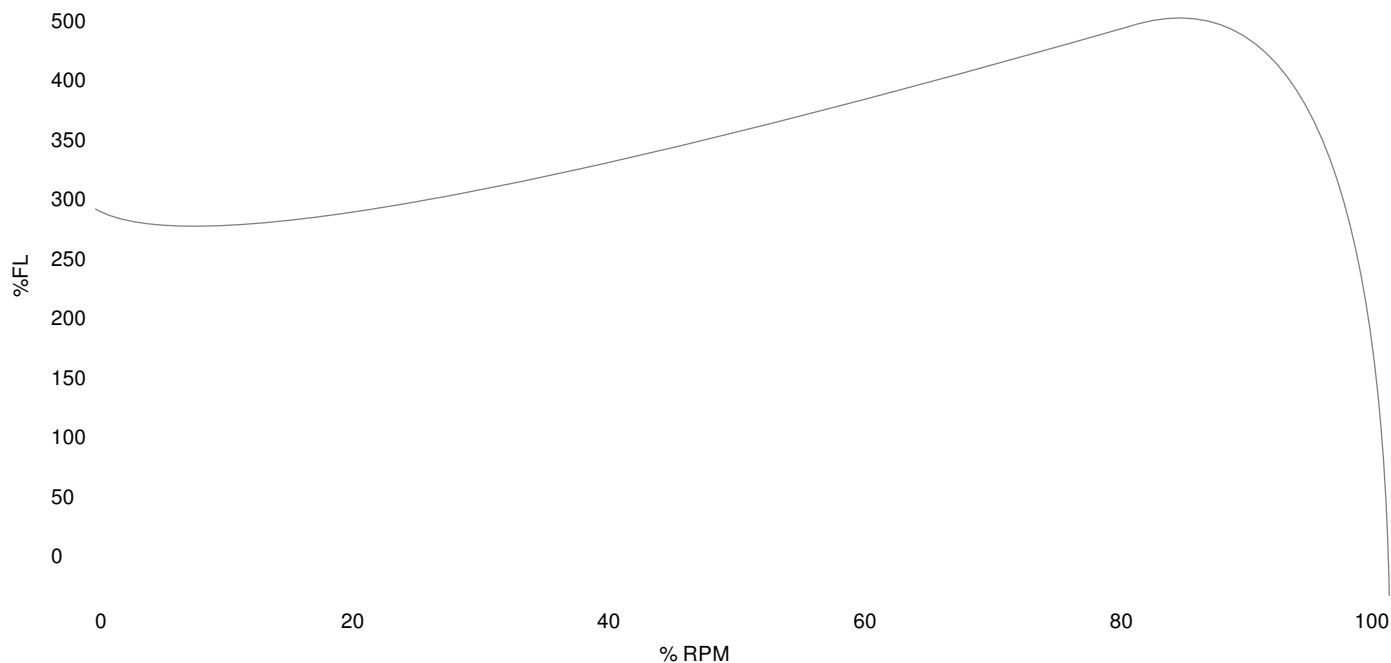
Three Phase Aluminum

MOTOR MODEL:	GX3-AL-TF-184TC-2-B-D-5
FACTORY TYPE:	TXA

NEMA

Premium NEMA Cast Aluminum, TEFC

Torque Speed (T-n) Curve



Performance Load Values, High Voltage, 60Hz

Torque Values	Torque lb-ft	% FLT	Performance Values
Locked Rotor Torque	22.3368	299.0	Start Configuration
Pull-Up Torque	17.9292	240.0	Starting Current (A)
Breakdown Torque	32.8703	440.0	No-Load Current (A)
Full Load	7.47051	-	No-Load Power Factor

% Load	Horsepower	Current, Amps	Input power, Kilowatts	Speed, RPM	Efficiency	PF
0	-	2.01	-	-	-	-
25	1.25	2.654	1.11458	3579.0	83.63	0.5257
50	2.5	3.499	2.11847	3561.0	88.0	0.7579
75	3.75	4.599	3.14907	3542.0	88.8	0.8573
100	5.0	6.1	4.21299	3510.0	88.5	0.87
125	6.25	7.178	5.30159	3501.0	87.91	0.9247

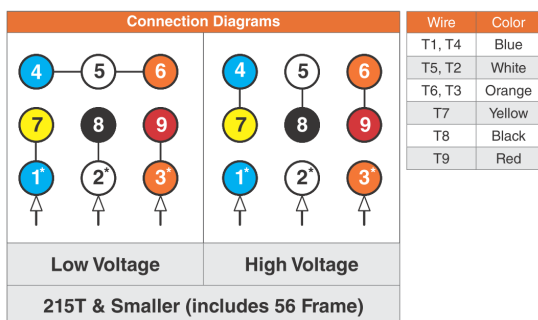
Techtop Industries
 2815 Colonnades Court
 Peachtree Corners, GA 30071
 Tel: 678-436-5540
 E-Mail: info@techttopind.com

MOTOR MODEL:	GX3-AL-TF-184TC-2-B-D-5
FACTORY TYPE:	TXA

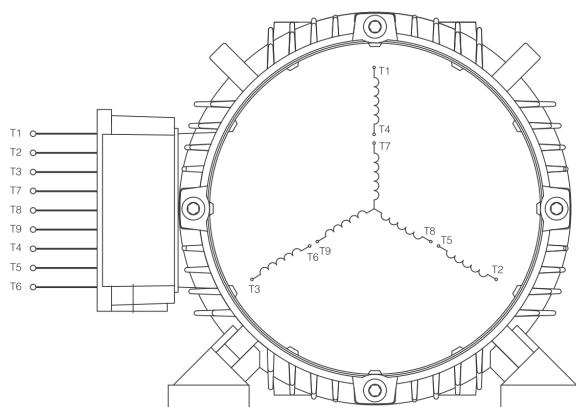
NEMA

Premium NEMA Cast Aluminum, TEFC

3 Phase NEMA YY/Y 9 Lead 230/460V



When motor is in F1 position, leads shown with "*" exit the casing above the center line of the motor, the remaining leads exit below the center line. This information can be used to identify missing or mislabeled leads.



NEMA

MOTOR MODEL:	GX3-AL-TF-184TC-2-B-D-5
FACTORY TYPE:	TXA

Premium NEMA Cast Aluminum, TEFC

