





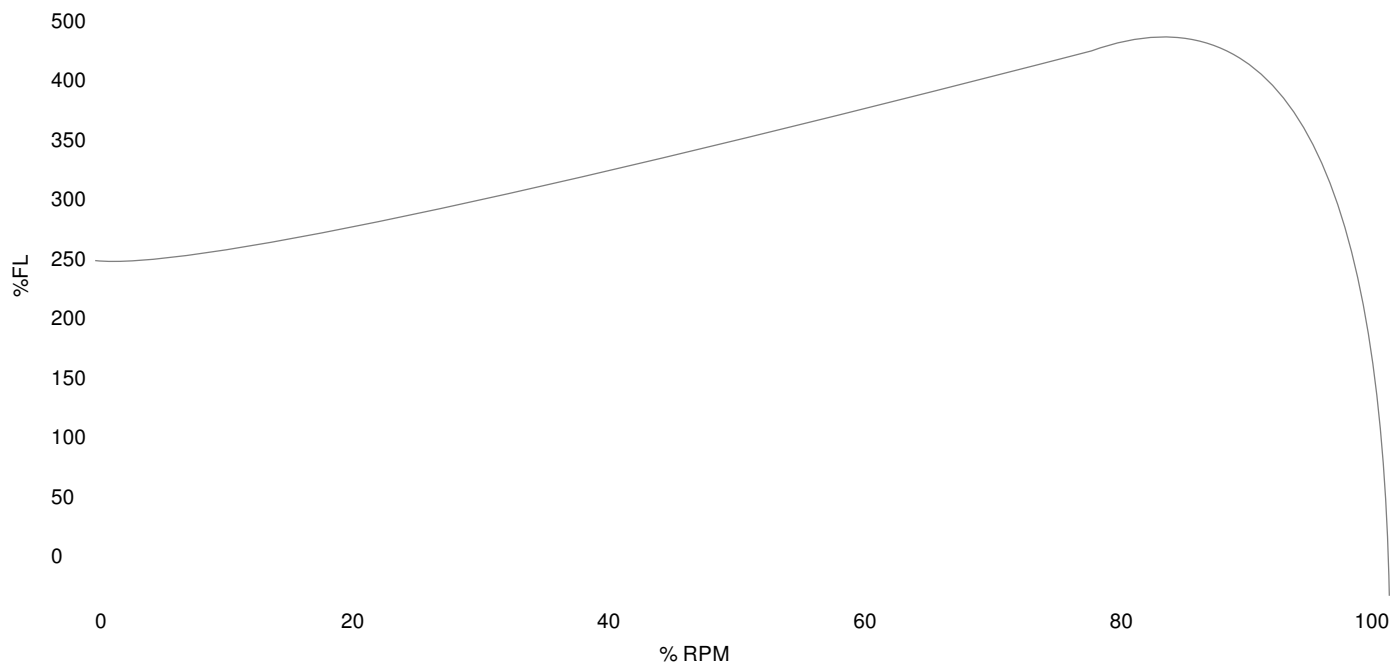
## Three Phase Aluminum

<b>MOTOR MODEL:</b>	GX3-AL-TF-182TC-4-B-D-3
<b>FACTORY TYPE:</b>	TXA

# NEMA

### Premium NEMA Cast Aluminum, TEFC

Torque Speed (T-n) Curve



Performance Load Values, High Voltage, 60Hz

Torque Values	Torque lb-ft	% FLT	Performance Values
Locked Rotor Torque	22.7661	259.0	Start Configuration
Pull-Up Torque	21.7992	248.0	Starting Current (A)
Breakdown Torque	37.0059	421.0	No-Load Current (A)
Full Load	8.79	100.0	No-Load Power Factor

% Load	Horsepower	Current, Amps	Input power, Kilowatts	Speed, RPM	Efficiency	PF
0	-	1.95	-	-	-	-
25	0.75	-	-	-	-	-
50	1.5	-	-	-	-	-
75	2.25	-	-	-	-	-
100	3.0	-	-	-	-	-
125	3.75	-	-	-	-	-

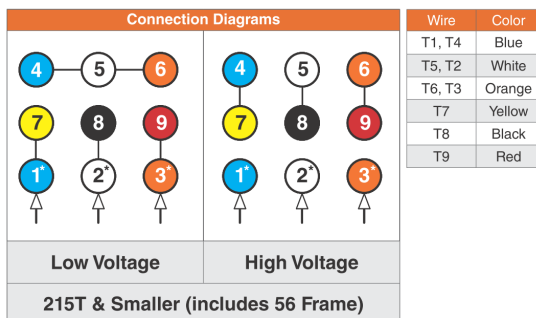
Techtop Industries  
 2815 Colonnades Court  
 Peachtree Corners, GA 30071  
 Tel: 678-436-5540  
 E-Mail: info@techttopind.com

# NEMA

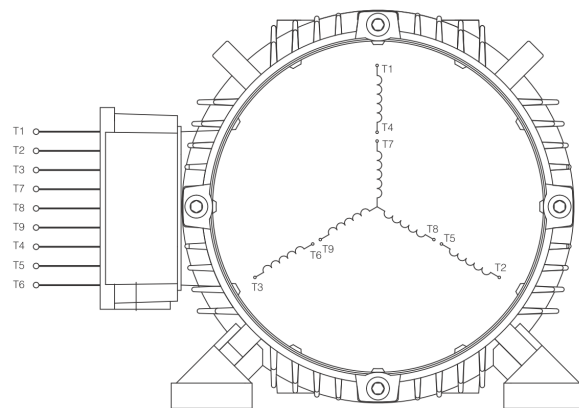
<b>MOTOR MODEL:</b>	GX3-AL-TF-182TC-4-B-D-3
<b>FACTORY TYPE:</b>	TXA

## Premium NEMA Cast Aluminum, TEFC

### 3 Phase NEMA YY/Y 9 Lead 230/460V



When motor is in F1 position, leads shown with "\*" exit the casing above the center line of the motor, the remaining leads exit below the center line. This information can be used to identify missing or mislabeled leads.



<b>MOTOR MODEL:</b>	GX3-AL-TF-182TC-4-B-D-3
<b>FACTORY TYPE:</b>	TXA

# NEMA

## Premium NEMA Cast Aluminum, TEFC

