



# SERVICE PARTS LIST

**BULLETIN NO.**  
**54-49-2595**

SPECIFY CATALOG NO. AND SERIAL NO. WHEN ORDERING PARTS		REVISED BULLETIN	DATE
<b>M12™ RADIO + CHARGER</b>			Feb. 2020
<b>CATALOG NO.</b>	<b>2951-20</b>	<b>SERIAL NUMBER</b>	<b>L47A</b>
WIRING INSTRUCTION			

**EXAMPLE:**



Component Parts (Small #)  
Are Included When Ordering  
The Assembly (Large #).

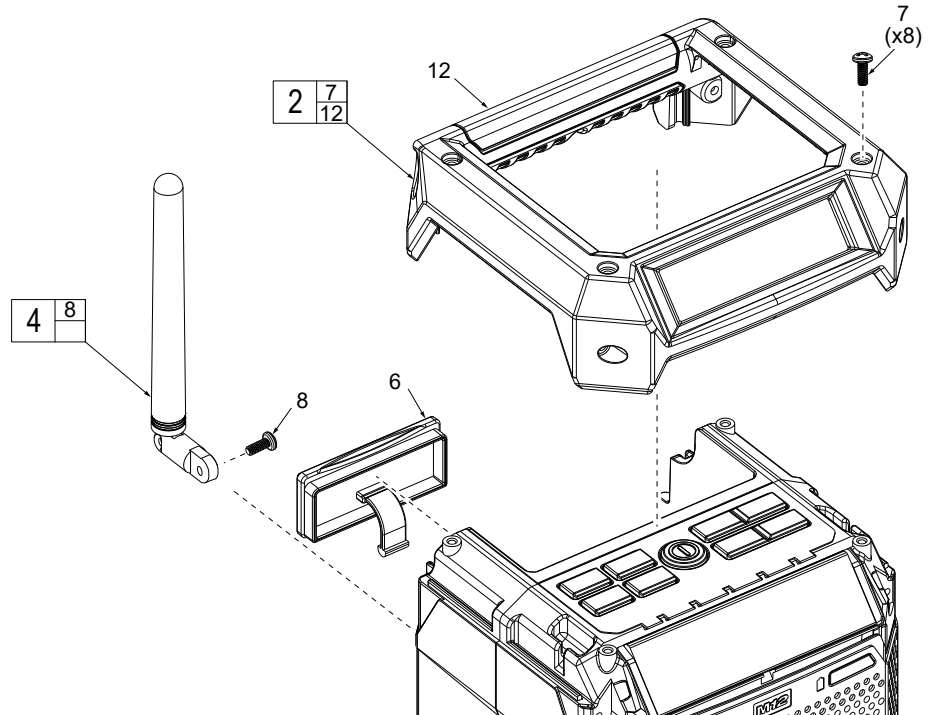


FIG.	PART NO.	DESCRIPTION OF PART	NO. REQ.
2	14-38-0175	Top Housing Kit	(1)
3	14-38-0177	Bottom Housing Kit	(1)
4	42-09-0012	Antenna Kit	(1)
5	31-21-0023	Backup Battery Door Kit	(1)
6	31-21-0005	Door Cover	(1)
7	-----	3 x 10 Pan Hd. T-10 Screw	(17)
8	-----	2.6 x 6 Flat Hd. Phillips Screw	(1)
9	-----	3 x 10 Pan Hd Phillips Screw	(1)
10	23-81-0705	Wall Transformer / AC Adapter (Not Shown)	(1)
11	12-20-2951	Service Nameplate (Not Shown)	(1)
12	-----	Top Housing	(1)
13	-----	Bottom Housing	(1)

**FIG. NOTES**

11 A clean, dry surface is essential for proper performance for any adhesive system. The area intended for application of any adhesive label or nameplate must be prepared by cleaning with isopropyl alcohol. The solvent is to be applied with a clean, lint free applicator and the surface allowed to dry before applying the label or name plate.

