



SERVICE PARTS LIST

BULLETIN NO.
54-05-2680

SPECIFY CATALOG NO. AND SERIAL NO. WHEN ORDERING PARTS		REVISED BULLETIN	DATE
M18™ COMPACT HEAT GUN			Nov. 2017
CATALOG NO.	2688-20	STARTING SERIAL NO.	J15A
		WIRING INSTRUCTION	

EXAMPLE:
Component Parts (Small #)
Are Included When Ordering
The Assembly (Large #).

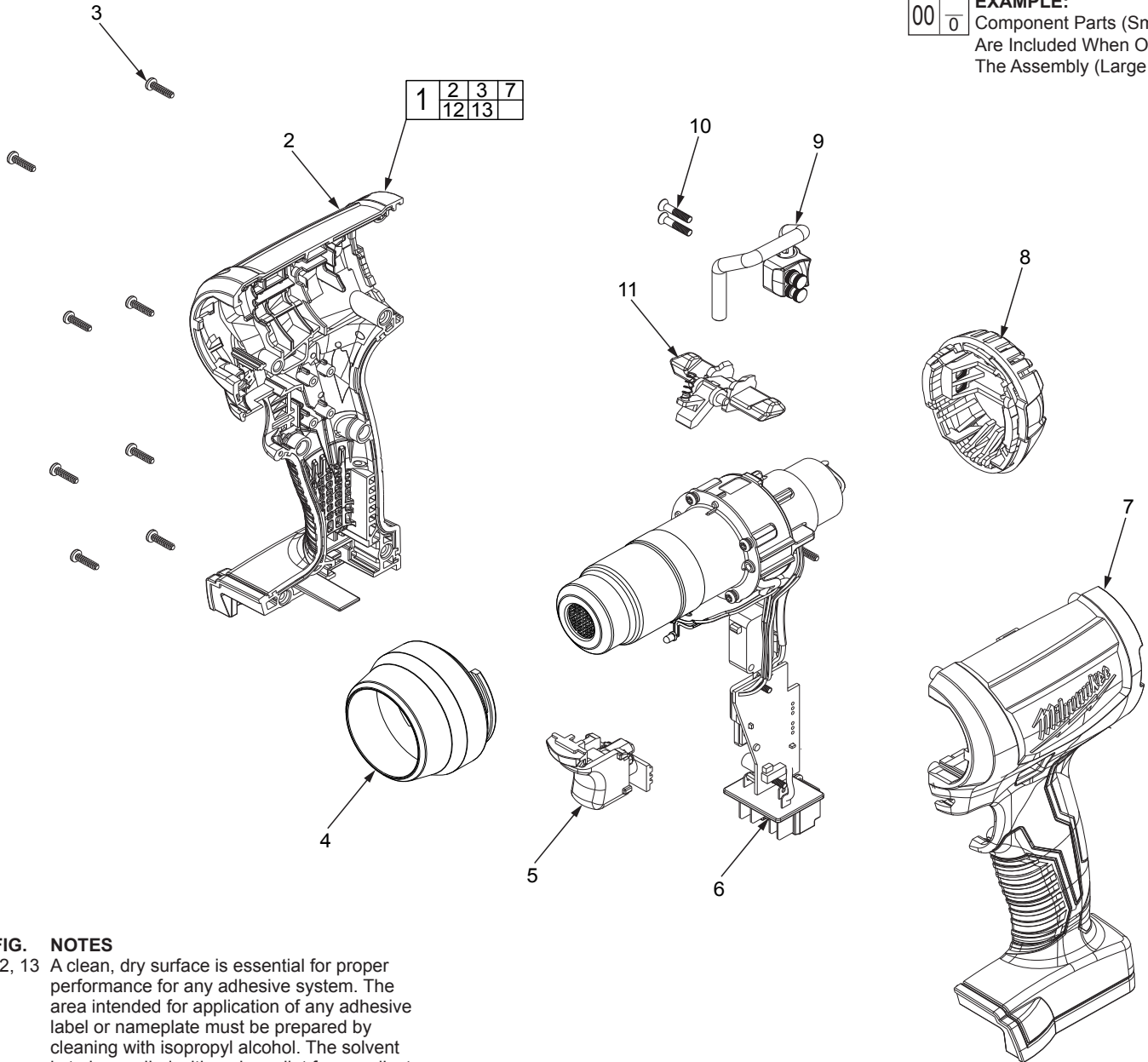


FIG. NOTES

12, 13 A clean, dry surface is essential for proper performance for any adhesive system. The area intended for application of any adhesive label or nameplate must be prepared by cleaning with isopropyl alcohol. The solvent is to be applied with a clean, lint free applicator and the surface allowed to dry before applying the label or nameplate.

FIG.	PART NO.	DESCRIPTION OF PART	NO. REQ.	FIG.	PART NO.	DESCRIPTION OF PART	NO. REQ.
1	31-44-0030	Housing Kit	(1)	14	49-80-0292	Hook Nozzle Accessory (Not Shown)	(1)
2	-----	Right Housing	(1)	15	49-80-0293	Deflector Nozzle Accessory (Not Shown)	(1)
3	-----	M3 x 12 Screw	(8)	16	49-80-0294	Air Spreader Nozzle Accessory (Not Shown)	(1)
4	22-68-0055	Nose Cone Cover	(1)	17	49-80-0297	Air Reducer Nozzle Accessory (Not Shown)	(1)
5	23-66-0110	Trigger Assembly	(1)	18	49-80-0300	Heat Gun Accessory Assortment (Not Shown)	(1)
6	14-20-0010	Motor & PCBA Assembly	(1)	19	49-80-0305	Reduction Nozzle 3/8" Accessory (Not Shown)	(1)
7	-----	Left Housing	(1)	20	49-80-0306	Reduction Nozzle 9/16" Accessory (Not Shown)	(1)
8	22-68-0050	Rear Cover	(1)	21	49-80-0307	Reflector Nozzle 3/8" Accessory (Not Shown)	(1)
9	14-36-0015	Hook Assembly	(1)	22	49-80-0308	Slit Nozzle Accessory (Not Shown)	(1)
10	05-80-0435	M3 x 16 Screw	(2)				
11	42-42-0120	Switch Lock Out	(1)				
12	12-20-0114	Service Nameplate (Not Shown)	(1)				
13	10-20-0128	Warning Label (Not Shown)	(1)				