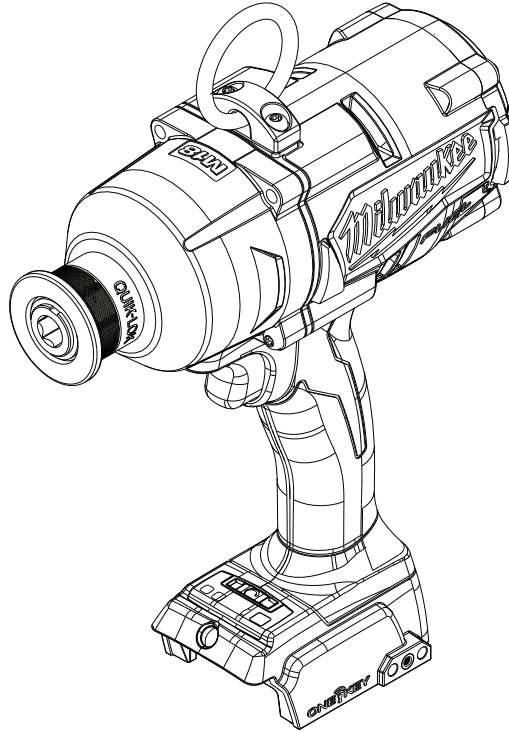




SERVICE PARTS LIST

BULLETIN NO.
54-00-2865

SPECIFY CATALOG NO. AND SERIAL NO. WHEN ORDERING PARTS		REVISED BULLETIN	DATE
M18™ FUEL™ ONE KEY 7/16" Hex Impact Driver			Oct. 2019
CATALOG NO. 2865-20	STARTING SERIAL NO. K40A	WIRING INSTRUCTION	



**Service for Milwaukee Tool ONE KEY Products
can only be performed at this
Milwaukee factory Central Repair Center:**

**MILWAUKEE TOOL Central Repair
1401 Sycamore Avenue • Greenwood, MS 38930-7277**

Please send your tool directly to this location for service.

Or

Via e-Service at: www.milwaukeetool.com/e-service
questions, please call 1.800.SAWDUST (1.800.729.3878)

Or

Return it to a MILWAUKEE *factory* Service Center location, freight prepaid and insured.
A copy of the proof of purchase should be included with the return product.

If you have questions please contact Milwaukee Product Service at:

Product Technical Support via phone at: 262.783.8642

Or

Via email at: METProductSupport@milwaukeetool.com

Disassembly is not recommended and could void the warranty.

EXAMPLE:
 Component Parts (Small #)
 Are Included When Ordering
 The Assembly (Large #).

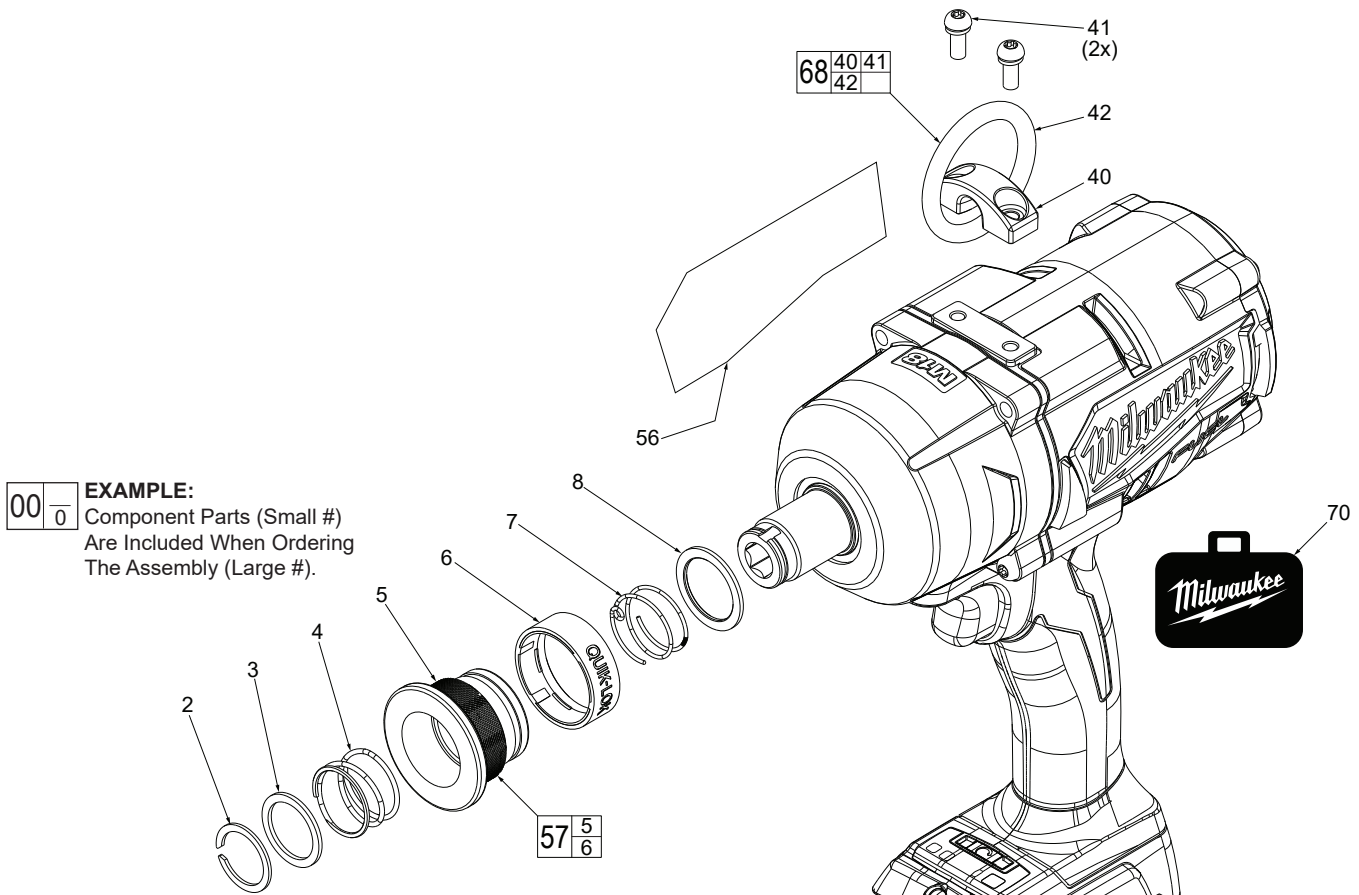


FIG.	PART NO.	DESCRIPTION OF PART	NO. REQ.
2	34-60-0051	Retaining Ring	(1)
3	44-90-0210	Support Washer	(1)
4	40-50-1495	Sleeve Spring	(1)
5	-----	Sleeve	(1)
6	-----	Sleeve Band	(1)
7	40-50-0099	Anvil Spring	(1)
8	44-90-0211	Flat Washer	(1)
40	-----	Hanger Holder	(1)
41	-----	M5 x 13mm Pan Hd. T-25 Screw w/Spr. Washer	(2)
42	-----	Lanyard Hook Ring	(1)
52	22-09-2757	Coin Cell PCBA	(1)
53	-----	3V Coin Cell Battery (CR 2032)	(1)
54	31-15-0011	Coin Cell Cover	(1)
55	05-81-1100	M2.6 x 6mm Flat Hd. Phillips Screw	(2)
56	12-20-6520	Service Nameplate	(1)
57	42-76-0260	Sleeve Assembly	(1)
68	14-46-9310	Lanyard Ring Kit	(1)
70	48-55-3560	Contractor Bag	(1)