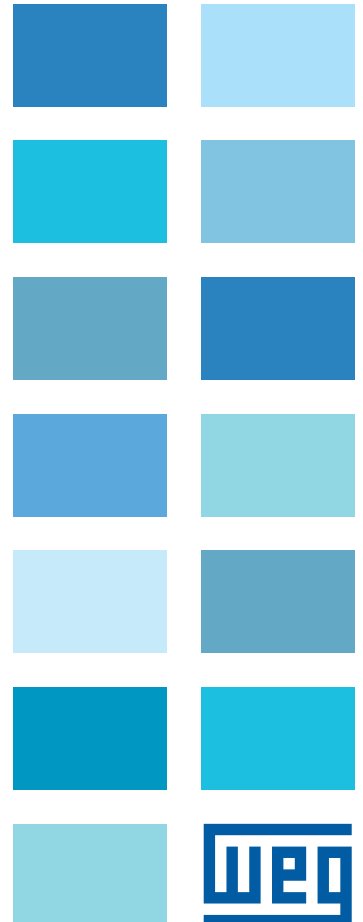
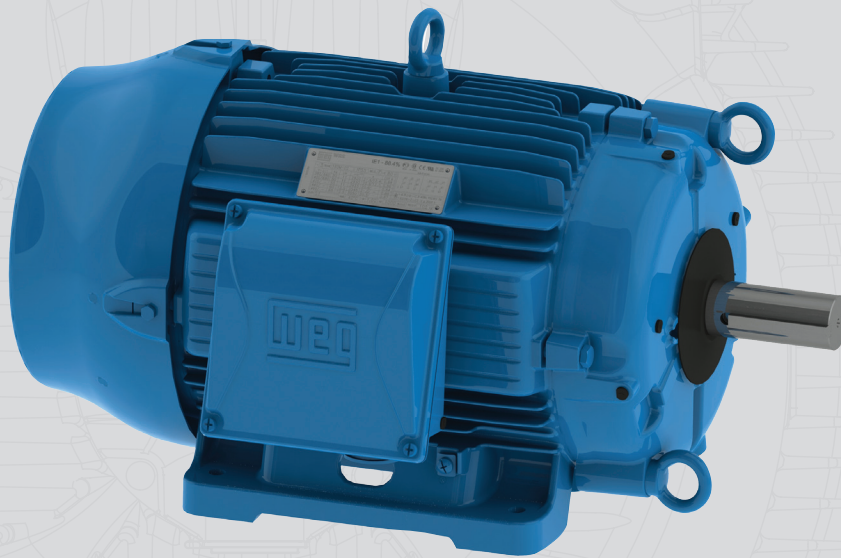


# W22 Cooling Tower

NEMA Premium® Efficiency Motors  
1-100HP, 1800, 1200, 1800/900 & 1200/900 RPM  
Single Speed & 2-speed

- Cooling Tower
- Evaporative Condensers
- Chemical plants
- Pulp and paper mills
- Pumps
- Fans
- Packaging equipment



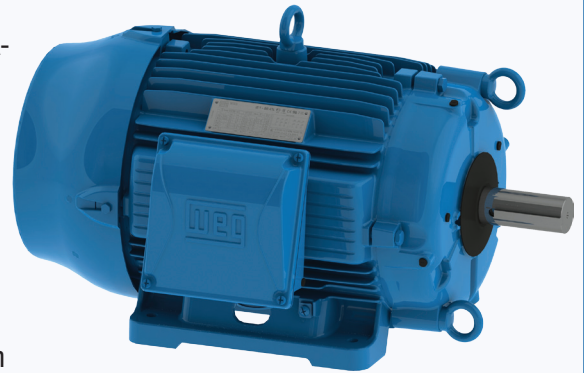


## Cooling Tower - NEMA Premium Efficiency - Three Phase -TEFC/TEAO

WEG'S Cooling Tower - NEMA Premium Efficiency motors meet or exceed all EISA-2007 requirements for energy efficiency.

These TEFC and TEAO motors are built according to NEMA standards and designed for operation in 100% humidity and the most corrosive environments. The entire line is Inverter Rated for use with Variable Frequency Drives. They are designed to operate in either horizontal or vertical shaft up/down position. Sealed bearing in all sizes require no lubrication.

As with any other WEG motor, Cooling Tower motors are tested in accordance with IEEE 112, Method B, and their efficiency values are certified by UL (CSA C390). Cooling Tower motors will meet Design B torques, maintaining exceedingly high breakdown and locked rotor torque while providing the highest rated efficiency levels.



### STANDARD FEATURES

- Three-phase, 1800, 1200, 1800/900 and 1200/900RPM 60Hz
- Voltage: 208-230/460V, 200V, 460V or 575V 60Hz
- 1.25 Service Factor at 60Hz for Single Speed motors
- 1.15 Service Factor at 60Hz for Two-Speed motors
- Single Speed available from 1-100Hp and also rated 380V 50Hz 1.0SF
- Available in Totally Enclosed Fan Cooled – TEFC – and Totally Enclosed Air Over–TEAO – water/dust tight (IP55)
- Multiple End Shield Drain plugs for all mounting position
- Multiple Drain plugs on Terminal Box
- Rubber Lead Separator (isolator) between Terminal Box and Frame
- Joint Seal between frame and brackets
- Internal and External Epoxy Paint for increased corrosion protection
- V-ring slinger on both end shields
- Umbrella Seal on drive end prevents water tracking down shaft in shaft up installations
- Double Sealed Anti-Friction Ball Bearings - maintenance free
- NEMA frames 143T-445T
- Class 'F' insulation in all frames for increased reliability
- Class 'H' resin insulation system
- Class 'B' (80°C) Temperature rise at full load for longer life
- Continuous duty (S1)
- NPT threaded, Cast Iron terminal box rotatable in 90° increments
- F2 mount (Standard Configuration); F1 available as stock mod
- Laser Etched AISI 316 Stainless steel nameplate
- MGI Part 31 rating for use with VFD - 1000:1 VT speed range

### OPTIONAL FEATURES

- Thermostats
- Thermistors
- Space Heaters
- Shaft Grounding Device
- Drip covers for shaft down TEFC

Note:

All motors are tested according to IEEE 112 Std. - Method 'B' or C390 CSA.

Energy efficiency motors verified by UL in addition to the DOE.

The NEMA Premium® is a trademark of NEMA.



# WEG W22 Cooling Tower Duty Motors

## FAN COVER

Steel covers on 143T through 215T and Cast Iron 254T frames and up

## NAMEPLATE

Laser etched and easy to read, stainless steel for corrosion resistance

## UMBRELLA SEAL

Fits over V-Ring Slinger to provide IP55 Protection from water and other contaminants

## FAN

Made of rigid thermoplastic, non-sparking and resistant to environment conditions and ensure low noise operation

## LIFTING LUGS

Made of forged steel on all motors 184T frame and up. Multiple lugs available based on mounting configuration

## PERMANENTLY SEALED

and Lubricated bearing provide maintenance free long life

## FRAME

Made of high grade FC-200 cast iron for maximum cooling. Includes additional grounding lug and external epoxy paint

## INTERNAL EPOXY COATING

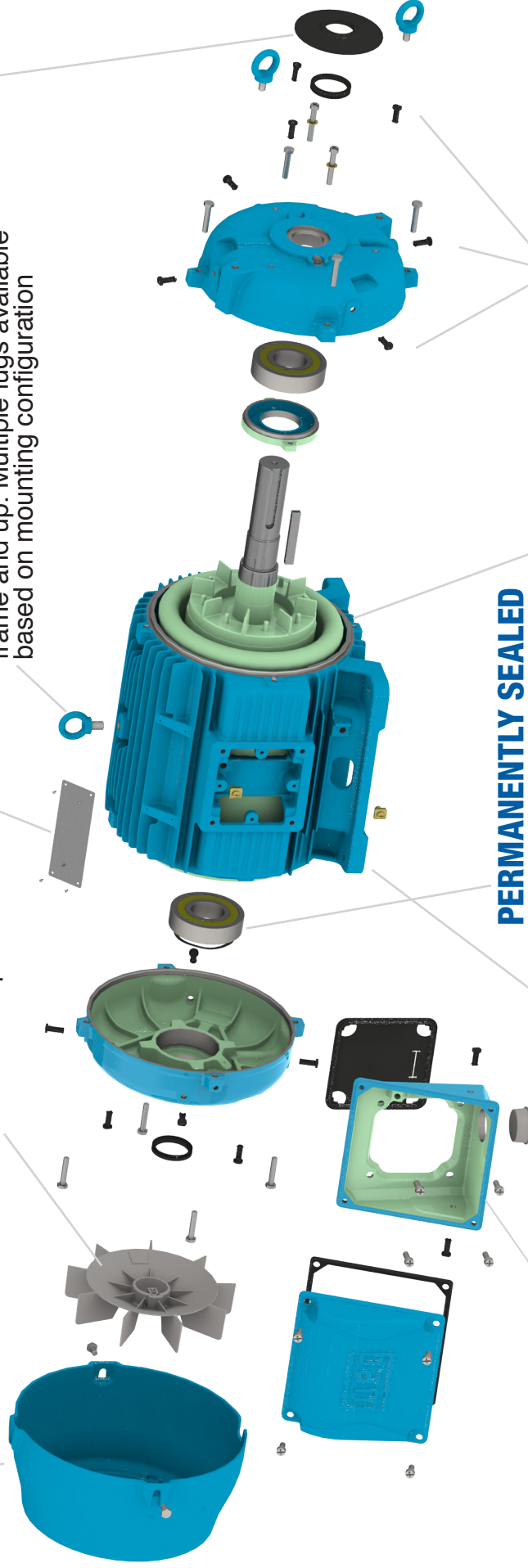
Entire interior of the motor is coated with epoxy for maximum moisture/corrosion resistance

## CONDUIT BOX

Fully Gasketed, Cast Iron conduit box includes drainplugs, lead separator gasket and internal epoxy coating

## DRAIN PLUGS

Located every 90 degrees and on the face of each endshield. Easy to open and accommodates all mounting configurations



WEG Electric Corp. offers the following products, and more! With a full range of IEC/NEMA Global Certifications and a full line of products, WEG can supply the right solution for your needs anywhere in the world. To learn more about WEG's products and solutions or to locate a Distributor near you, please call **1-800-ASK-4WEG** or visit **www.weg.net/us**.

**Low Voltage Motors,  
Single and 3-Phase, 1/8 – 700HP**

General Purpose Motors  
Explosion Proof Motors  
Crusher Duty Motors  
IEC Tru-Metric Motors  
Pump Motors including JP/JM  
P-Base Pump Motors  
Oil Well Pumping Motors  
Pool & Spa Motors  
Brake Motors  
Compressor Duty Motors  
Farm Duty Motors  
Poultry Fan Motors  
Auger Drive Motors  
IEEE 841 Motors  
Stainless Steel Wash Down Motors  
Saw Arbor Motors  
Cooling Tower Motors  
Commercial HVAC Motors  
Pad Mounted Motors  
Vector Duty Motors

**Large Electric Motors**

Low Voltage 3-phase motors up to 2,500HP  
Motors up to 70,000HP and 13,200V  
Wound Rotor Systems (including starters) up to 70,000HP and 13,200V  
Synchronous Motors up to 70,000HP and 13,200V  
Explosion proof motors (Ex-d) up to 1,500kW and 11kV  
Ex-n, Ex-e, Ex-p motors

**Variable Frequency Drives**

Low Voltage 1/4 to 2500HP, 230V – 480V  
Medium Voltage 500-8000HP  
Multi-pump systems  
NEMA 4X  
Dynamic braking resistors  
Line and load reactors  
Plug and play technology  
Network communications: Profibus-DP, DeviceNet, Modbus-RTU  
PLC functions integrated  
Complete line of options and accessories

**Soft Starters**

3-1500HP  
Oriented start-up  
Built-in bypass contactor  
Universal source voltage (230-575V, 50/60Hz)  
Network communications: Profibus-DP, DeviceNet, Modbus-RTU  
Complete Line of options and accessories  
MV Soft-starter 3.3kV, 4.16kV: up to 3500HP, Withdrawable Power Stacks, & 8x PT100 Temperature monitoring

**Controls**

Mini – Contactors  
IEC Contactors  
Thermal Overload Relays  
Manual Motor Protectors  
Molded Case Circuit Breakers  
Smart Relays  
Enclosed Starters: combination & non-combination,  
Pushbuttons & Pilot Lights  
Timing & Motor Protection Relays  
Terminal Blocks

**Custom Panels**

Custom configured to your specification.  
NEMA 1, 12, 3R, 4 and 4X cabinets  
Quick delivery of preconfigured drives and soft starters  
UL 508 certified  
Low Voltage (230-460)  
Made in the U.S.A.

**Generators**

Brushless Synchronous Generators for diesel gen-sets up to 4,200kVA  
Hydro-generators up to 25,000kVA  
Turbo-generators up to 62,500kVA

**Power Transformers**

Built and engineered in North America  
Voltages < 500kV  
Ratings 5-300MVA  
Station class, oil filled, round core, copper windings  
Special configurations and designs available!  
Ask your WEG Sales Representative for details.  
Designed, built, and engineered to ANSI standards.

**Custom Solution Package Sales**

WEG can package any of its products for ease of sale! Enjoy a single point of contact for the entire package of products and assistance from quote through after-sales support. Ask your WEG Sales Representative for details.



WEG Electric Corp.  
6655 Sugarloaf Parkway  
Duluth, GA 30097  
Phone: 1-800-ASK-4WEG  
web: [www.weg.net](http://www.weg.net)

Please contact your authorized distributor: