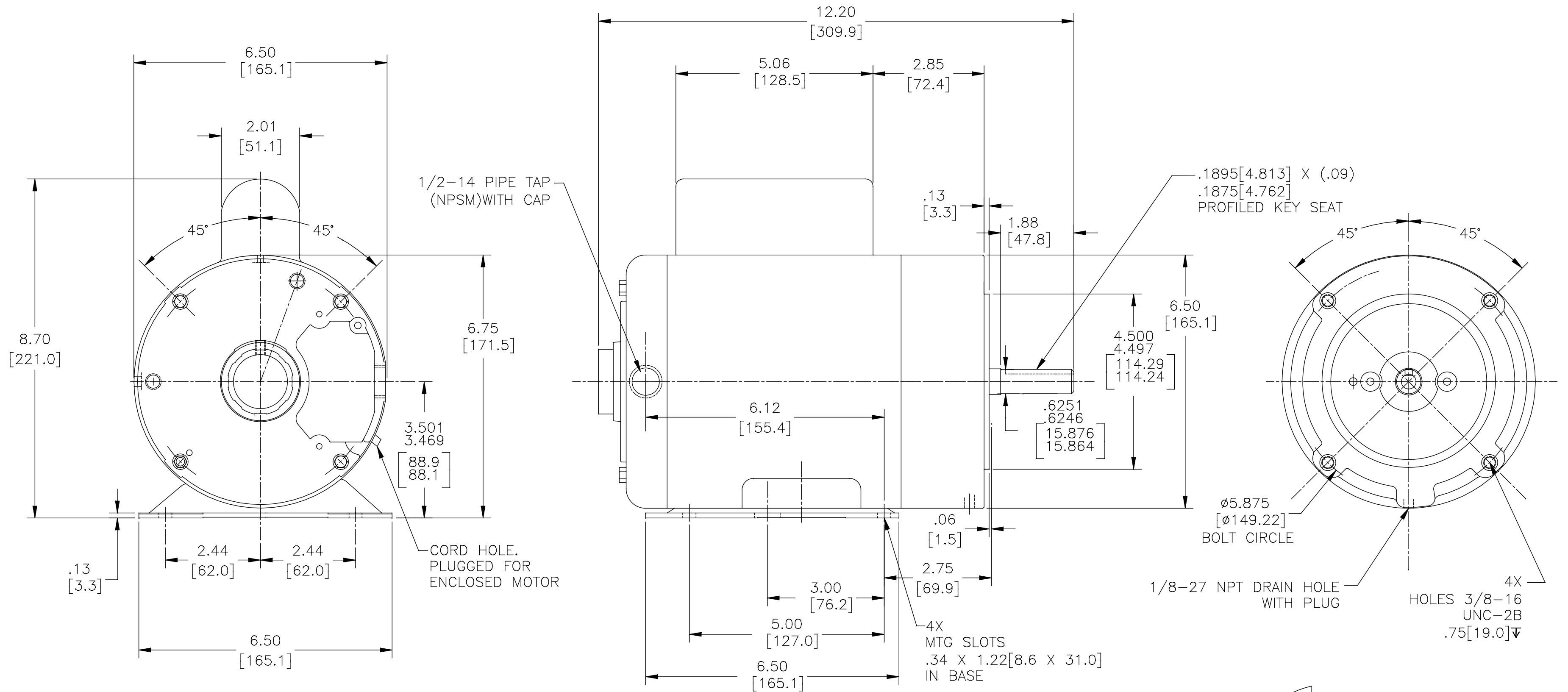


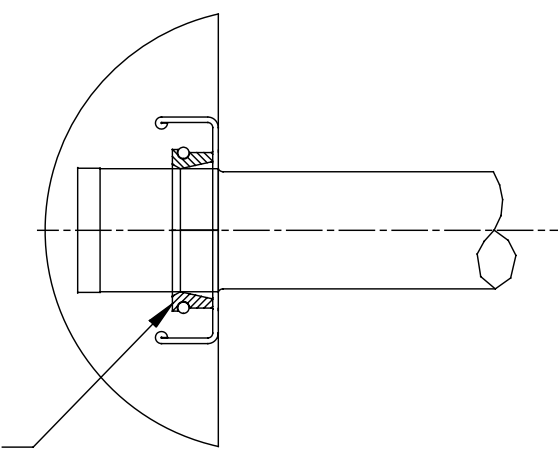
TYPE: CX
 FRAME: L56HCZ
 FORM: K



NOTES:

1. RABBET DIAMETER IS CONCENTRIC WITH SHAFT ϵ WITHIN $.004[.10]$ T.I.R.
2. FACE OF MOUNTING FLANGED IS PERPENDICULAR TO SHAFT ϵ $.004[.10]$ T.I.R.
3. SHAFT RUNOUT NOT TO EXCEED $.002[.05]$ T.I.R.
4. FOR RIGID BASE ONLY: THE 2 BOTTOM HOLES IN THE MOUNTING FLANGE ARE EQUIDISTANT FROM THE BOTTOM OF THE FEET WITHIN $.030[.8]$
5. ECCENTRICITY OF TREADED PORTION TO BE HELD WITH $.004[.10]$ GAUGE READING WITH INDICATOR ON O.D. OF GROUND RING.

SHAFT SEAL W/LIP FACING TOWARD
 OUTSIDE OF MOTOR
 (BOTH ENDS WHEN REQ'D)



DRAWING REVISION C	REVISION BY G.ALVIDREZ	DATE 06-26-2015	TOLERANCES UNLESS OTHERWISE SPECIFIED	DRAWN BY: M.AVILA	Regal Beloit America, Inc.
ECO 0080030	APPROVED BY G.ALVIDREZ	DATE 06-26-2015	DEC. INCH mm ANGLE .X ±0.1 [±2.5] ±0.5° .XX ±0.02 [±0.51] .XXX ±0.005 [±0.127] .XXXX ±0.0005 [±0.0127]	DATE: 05-12-2011	
ECO DESCRIPTION SEE ECO	<small>COPYRIGHT REGAL BELOIT AMERICA, INC. ALL RIGHTS RESERVED. PROPRIETARY AND CONFIDENTIAL INFORMATION - THIS DOCUMENT IS THE PROPERTY OF REGAL BELOIT AMERICA, INC. (OWNERS) AND CONTAINS OWNERS PROPRIETARY INFORMATION. ANY PERSON, CORPORATION OR OTHER FIRM RECEIVING IT IS DEEMED, BY RECEIVING IT, TO AGREE THAT IT, AND/OR ANY PART OF IT, SHALL NOT BE DISCLOSED TO ANY PERSON, CORPORATION OR OTHER ENTITY, DUPLICATED, AND/OR USED, EXCEPT AS EXPRESSLY APPROVED IN WRITING IN ADVANCE BY OWNER. THIS DOCUMENT SHALL BE RETURNED TO OWNER UPON REQUEST. IT MAY BE SUBJECT TO CERTAIN RESTRICTIONS UNDER APPLICABLE EXPORT CONTROL LAWS AND REGULATIONS.</small>		REMOVE BURRS & BREAK SHARP EDGES $.003[.015]$ [076].381] CORNER FILLETS $.02$ [51] MACHINED SURFACES 125 INCH 3.2 mm	APPROVED BY: T.REYES	DESCRIPTION MODEL-CFHP-56FR OUTLINE
			THIRD ANGLE PROJECTION	DATE: 05-12-2011	MATERIAL
			SIZE DWG NO C B582	REFERENCE	PROCESS/FINISH
					SHEET 1